

PARTS LIST

[XR-D400SL]

Area suffix
E ----- Germany

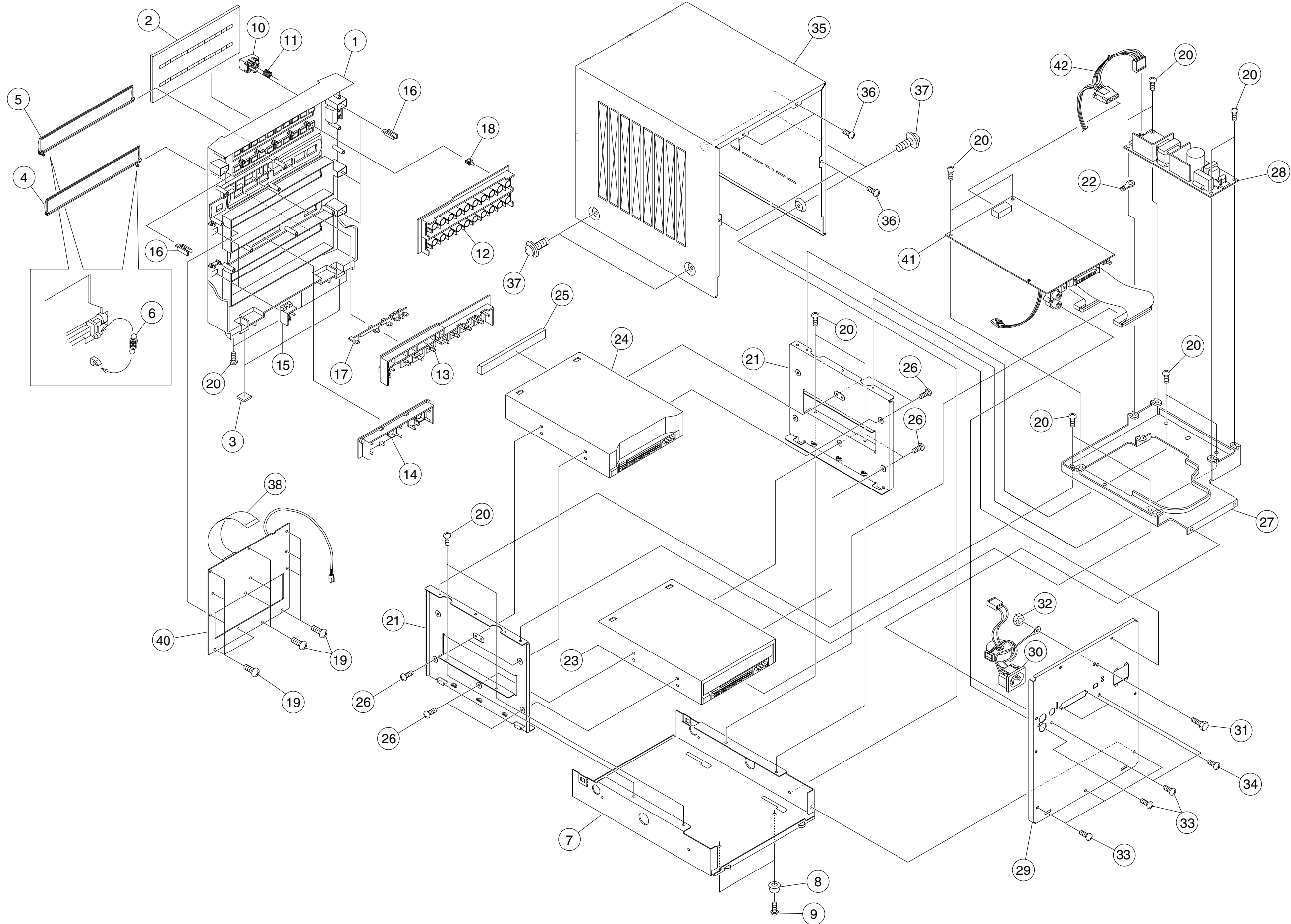
- Contents -

| | |
|--|-----|
| Exploded view of general assembly and parts list | 3-3 |
| CR-R/RW mechanism assembly and parts list | 3-5 |
| Packing materials and accessories parts list | 3-6 |

— MEMO —

Exploded view of general assembly and parts list

Block No. M1MM



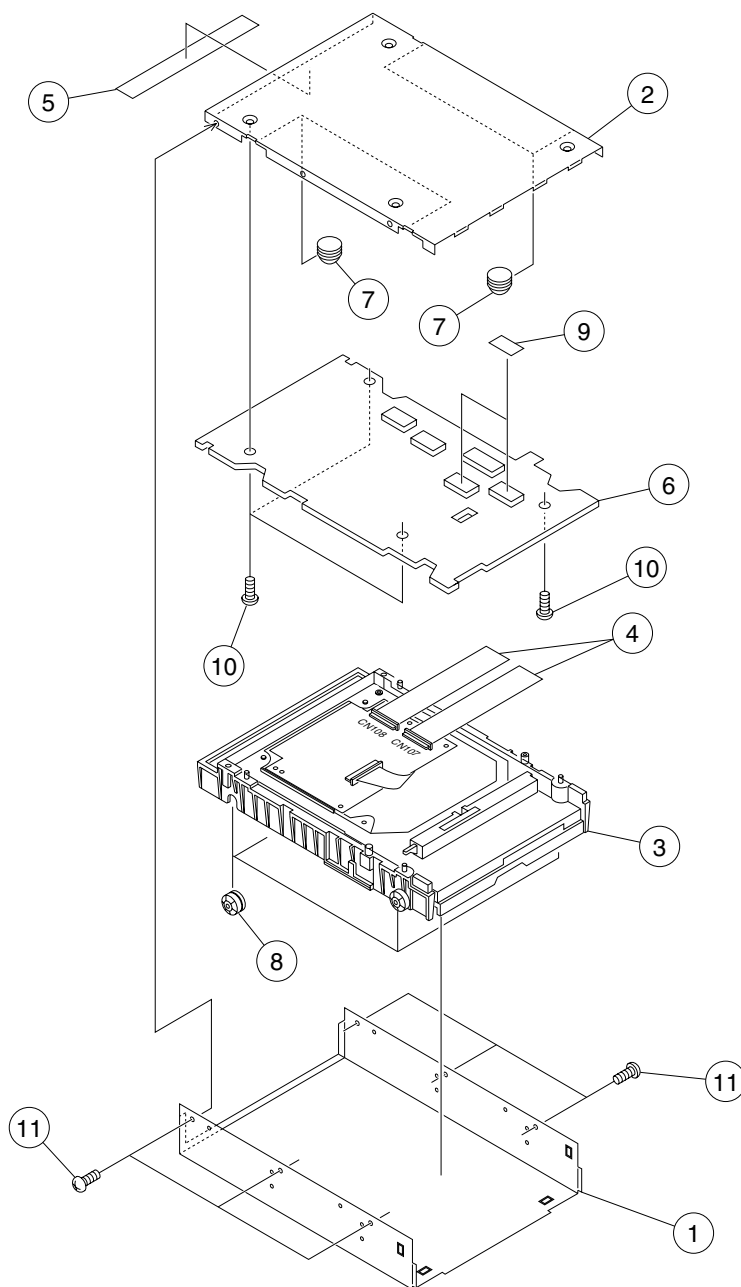
■ Parts list (General Assembly)

Block No.

| △ | Item | Parts number | Parts name | Q'ty | Description | Area |
|---|------|---------------|-----------------|------|--------------|------|
| | 01 | LE10227-001B | FRONT PANEL | 1 | | |
| | 02 | LE30810-005A | WINDOW SCREEN | 1 | | |
| | 03 | E75896-228 | SPACER | 2 | | |
| | 04 | LE20500-002A | DOOR | 1 | | |
| | 05 | LE20506-001A | DOOR(ROM) | 1 | | |
| | 06 | LE40651-001A | TEN.SPRING | 2 | | |
| | 07 | LE10226-001B | CHASSIS BASE | 1 | | |
| | 08 | E47227-008 | FOOT | 2 | | |
| | 09 | QYSBSG3010M | T.SCREW | 2 | | |
| | 10 | LE30818-002A | PUSH BUTTON(5) | 1 | | |
| | 11 | LE40650-002A | COMP.SPRING | 1 | | |
| | 12 | LE20498-001A | PUSH BUTTON(1) | 1 | | |
| | 13 | LE20499-002A | PUSH BUTTON(2) | 1 | | |
| | 14 | LE30814-001A | P BUTTON(3)ASSY | 1 | | |
| | 15 | LE30817-001A | PUSH BUTTON(4) | 2 | | |
| | 16 | LE30812-001A | INDICATOR(1) | 4 | | |
| | 17 | LE30813-001A | INDICATOR(2) | 1 | | |
| | 18 | LE30840-001A | INDICATOR(4) | 20 | | |
| | 19 | QYSBSF2608Z | T.SCREW | 13 | | |
| | 20 | QYSBSG3008Z | T.SCREW | 17 | | |
| | 21 | LE20503-001B | SIDE BKT | 2 | | |
| | 22 | LE40729-001A | LUG | 1 | | |
| | 23 | --- | CD-ROM DRIVE | 1 | See Page 3-5 | |
| | 24 | QAL0235-001 | CD-ROM DRIVE | 1 | | |
| | 25 | LE20505-001A | FITTING | 1 | | |
| | 26 | QYSPSP3006Z | T.SCREW | 8 | | |
| | 27 | LE20504-001B | PCB BKT | 1 | | |
| △ | 28 | QAL0244-002 | POWER PCB | 1 | | |
| | 29 | LE20496-001A | REAR PANEL | 1 | | |
| △ | 30 | WJZ0048-002A | AC INLET | 1 | | |
| | 31 | QYBNSP4008M | BOLT | 1 | | |
| | 32 | QYNFS4000Z | NUT | 1 | | |
| | 33 | QYSBSGY3008M | SPECIAL SCREW | 6 | | |
| | 34 | QYSHSP3006N | T.SCREW | 2 | | |
| | 35 | LE20497-002A | METAL COVER | 1 | | |
| | 36 | QYSBSGY3008N | SPECIAL SCREW | 4 | | |
| | 37 | E406308-004 | SPECIAL SCREW | 4 | | |
| | 38 | QUQ412-2118CJ | FLAT WIRE | 1 | | |
| | 40 | LEA10012-01A | FRONT PWB ASSY | 1 | | |
| | 41 | LEA10014-01A | CONTRL PWB ASSY | 1 | | |
| | 42 | WJJ0150-001A | WIRE ASSY | 1 | | |

CD-R/RW mechanism assembly and parts list

Block No. M2MM



Parts list

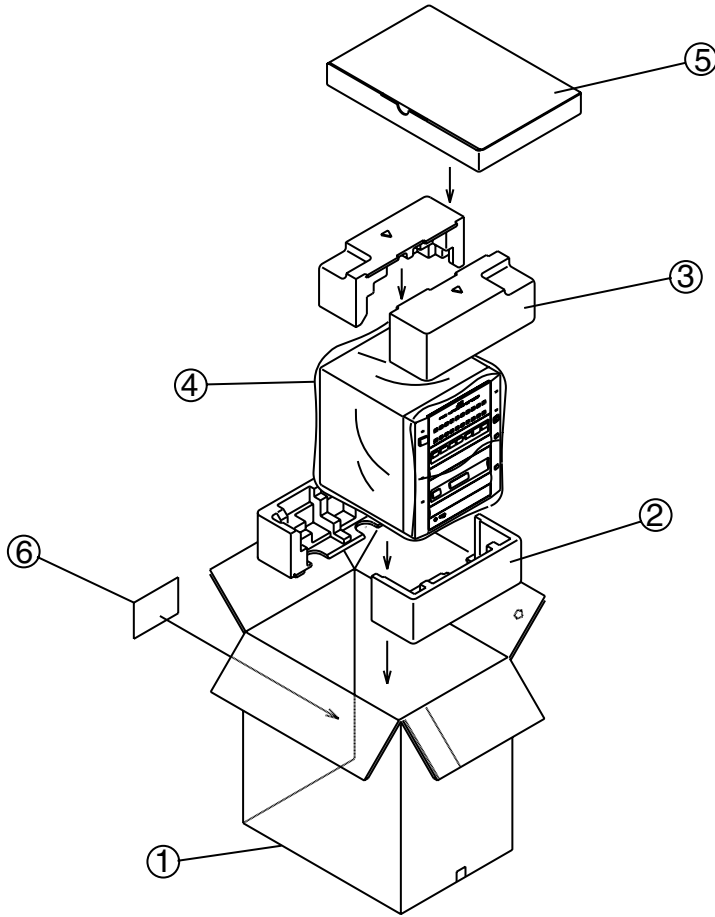
Block No. M2MM

| Item | Parts number | Parts name | Q'ty | Description | Area |
|------|---------------|-----------------|------|---------------|------|
| 01 | HQ200031-001 | UPPER CASE | 1 | | |
| 02 | HQ200032-001 | BOTTOM COVER | 1 | | |
| 03 | HXL-3BSPA | LOADER MECHA | 1 | | |
| 04 | QUQ105-2705AB | FLAT WIRE | 2 | | |
| 05 | HQ400090-001 | INSULATOR SHEET | 1 | | |
| 06 | HQA-030A | MAIN.P.C.B.ASSY | 1 | See page 1-13 | |
| 07 | HQ400127-001 | INSULATOR | 4 | | |
| 08 | HQ400089-001 | INSULATOR | 4 | | |
| 09 | HQZ0073-001 | SILICON SHEET | 2 | | |
| 10 | HQ400113-001 | SPECIAL SCREW | 4 | | |
| 11 | SSSP2004N | SCREW | 6 | | |

Packing materials and accessories parts list

Block No. M3MM

Block No. M4MM



■ Packing list

Block No. M3MM

| △ | Item | Parts number | Parts name | Q'ty | Description | Area |
|---|------|--------------|-----------------|------|-------------|------|
| | 1 | LE10236-001A | P.CASE | 1 | | |
| | 2 | LE20509-001A | P.PAD(L) | 1 | | |
| | 3 | LE20508-001A | P.PAD(U) | 1 | | |
| | 4 | QPC05006515P | POLY BAG | 1 | | |
| | 5 | LE30830-201A | PARTSBOX | 1 | | |
| | 6 | LE40681-001A | ACCESSORY LABEL | 1 | | |

■ Accessories parts list

Block No. M4MM

| △ | Item | Parts number | Parts name | Q'ty | Description | Area |
|---|------|----------------|---------------|------|-------------|------|
| | 1 | LET0169-001A | I.BOOK | 1 | | |
| | 2 | LET0174-001A | I.BOOK | 1 | | |
| △ | 3 | QMPL110-200-JQ | POWER CORD | 1 | | |
| | 4 | EWP302-011W | SIGNAL CORD | 1 | | |
| | 5 | BT-54008-2 | WARRANTY CARD | 1 | | |
| | 6 | LE40732-003A | CAUTION SHEET | 1 | | |
| | 7 | QPC02003015P | ENVELOPE | 2 | | |